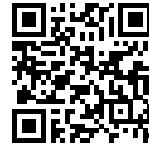
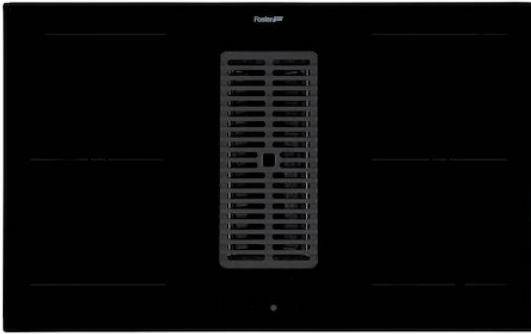


VENTO INDUCTION

Induction Hobs

Code: I392 N45

TABLE CUISSON INDUCTION + ASPIRATION VENTO



DETAILS

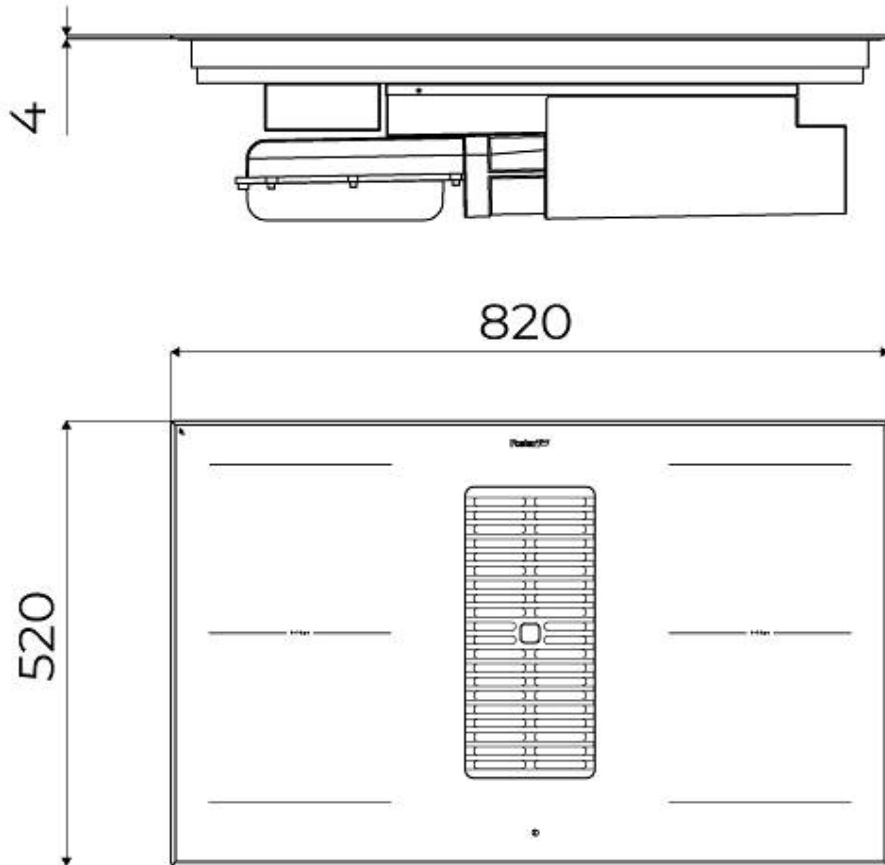
Coloring	Black
Material	Ceramic glass
Supply	230 - 380 V (50/60 Hz)
Dimensions	860x530 mm
Full description	Hoods Foster Milano heating element four zones, edge/installation type bevelled edge - for flush-mount (ft) or over-mount (fts) installation
Heating element	Four zones
Operation	Suction hood (filtering mode with optional carbon filters)
Suction speed	6 suction speeds (4 + 2 intensive)
Air flow rate	680 mc/h

Built-in hole	View technical data sheet
Grids	Cast iron grids and enamelled burner covers
Width	86 cm
Total power	7.400** W
2 front areas	Ø 160 mm - 1.200 (1.600)* W
2 rear areas	Ø 200 mm - 2.300 (3.000)* W
2 extended Bridge areas	3.700 W
Energy class	A++
Power settings	9 power settings per zone + Powerboost
Safety	Safety equipment
Type	Induction Hob
Type of commands	Touch Control
Notes:	**With the PowerControl function, the maximum power can be set in users from 1.400 to 7.400 W in 100 W steps *PowerBoost
Notes:	2 washable grease filters; Automatic delayed shutdown; Grease and carbon filter saturation warnings; Optional filtering operation with carbon filters.

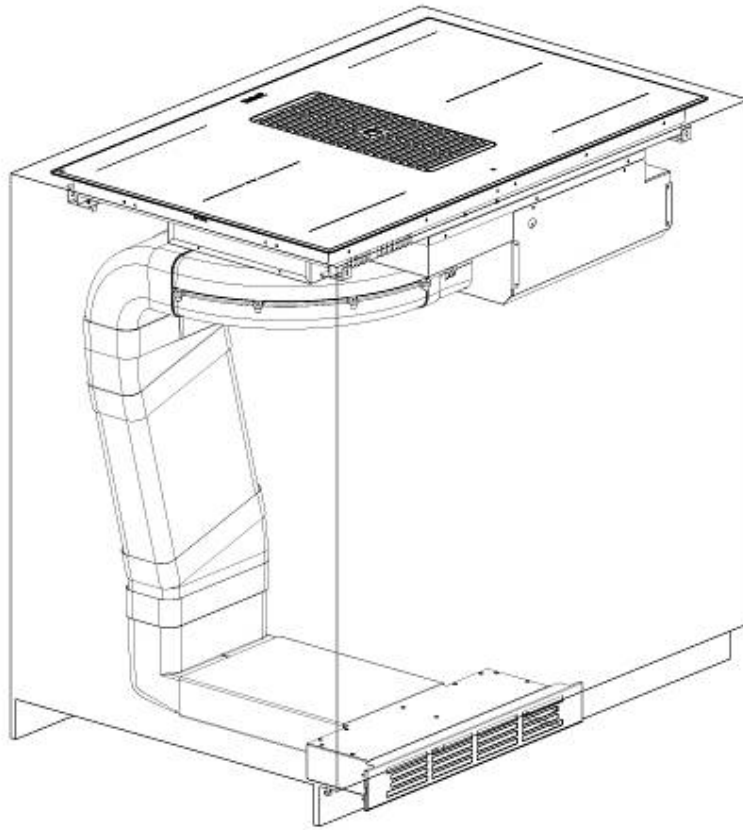
FEATURES

Go&stop function	This device initially turns on the plates at maximum power until the selected temperature has been reached.
Powerboost	Booster function provides increased power to the selected plate. In particular, when the Booster is activated, the plate works for ten minutes at a very high power that allows to heat quickly large quantities of water.
Pot detector	All induction cooker hobs detect the pot resting on them, but they also calculate the area they cover. This system allows the energy to be used even more efficiently. Moreover, the plates switch off automatically when the pot is removed.
Smart fan system	Correct ventilation is essential for the induction hob to function in the best possible way. The Foster system automatically regulates the amount of ventilation to suit the temperatures reached.
Safe cooking	All Foster cooker hobs are equipped with safety valves. They shut off the gas supply very quickly if the flame accidentally goes out.
End-of-cooking programming	All operations are programmed by means of the touch-control on the glass itself. Each cooking plate is capable of independent programming, and thus the possibility to set different cooking times.
Timer	Independent timer from the end-of-cooking function.
Power control function	PowerControl function allows the use of induction technology also in case of household maximum power as low as 3 kW. The maximum power can indeed be self-limited to the desired level to a minimum of 2.8 kW. Once the maximum power is set, we can forget about the absorbed energy because Foster induction hob will give us a warning about possible limitations, allowing to choose how to allocate the available energy. The hob can be easily reprogrammed at any time to modify or remove the power limit.
Bridge zone	The new cooktops with Bridge function allow to associate two zones forming a single extended cooking zone for pots of large size, or for more than one cooking simultaneously, with maximum flexibility in pot positioning. With the additional Double Booster feature provided by all Bridge cooktops, the exceptional 3700 W power can be concentrated on a single plate or made available uniformly over the enlarged area.

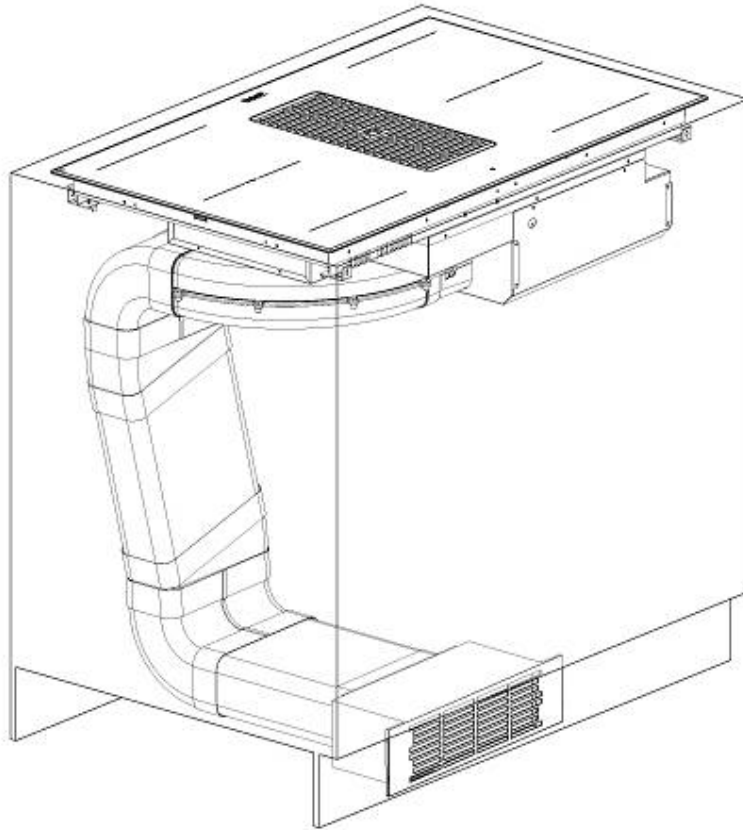
TECHNICAL DATA

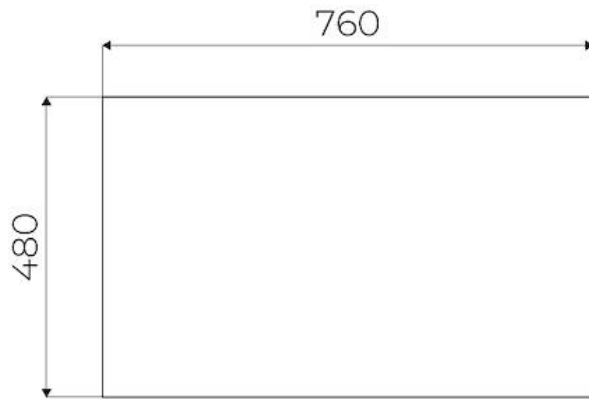


9700 577 - KIT H6 cm



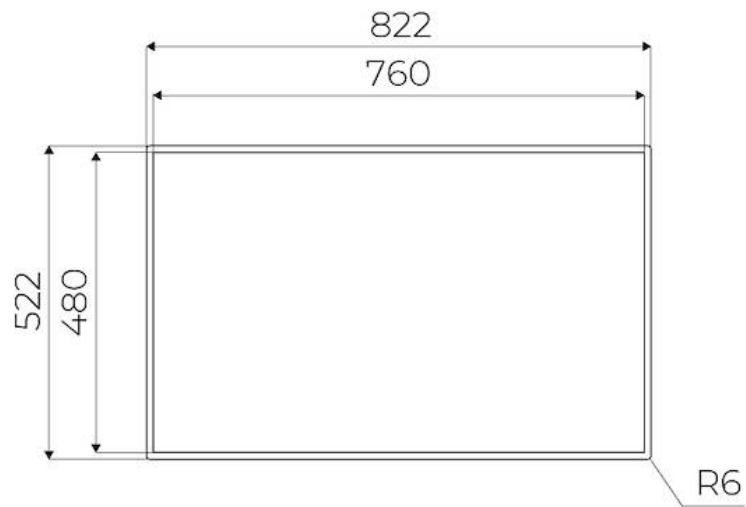
9700 580 - KIT H10 cm



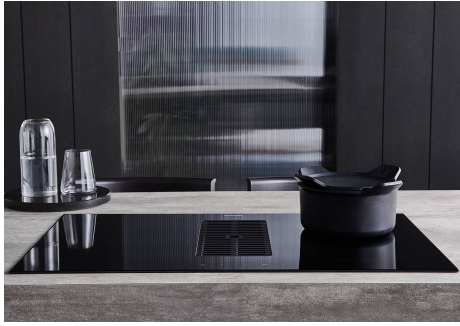


FTS - cut out

FT - cut out



GALLERY



OPTIONAL ACCESSORIES



GRILLE VENTO
A803 F00



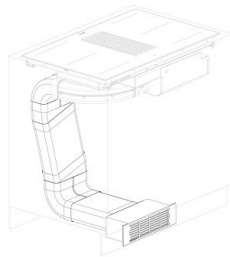
GRILLE VENTO COPPER
A803 A18



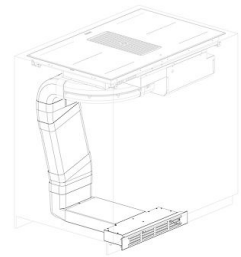
GRILLE VENTO GOLD
A803 A19



GRILLE VENTO GUN METAL
A803 A16



KIT FILTRE VENTO
A700 D80



KIT FILTRE VENTO
A700 D77